

General Features

The ACC-1 and ACC-2 are members of AIM's new family of 64bit extended PMC Carrier Boards. The ACC-1 is a single slot, single height (3U) CompactPCI module with one PMC slot to plug in a standard PMC module, whilst the ACC-2 is a single slot, double height (6U) CompactPCI module to plug in two standard PMC modules. Both implement a PCI-to-PCI Bridge using the industry standard INTEL device.

The ACC-1 and ACC-2 fulfil the requirements of the CompactPCI specification as well as the requirements of the PCIbus standard both Primary and Secondary sides. The PMC-slot is in conformance with the Draft Standard Physical and Environmental Layers for PCI Mezzanine Cards (P1386.1/Draft 2.4).

PMC Module Interface

The ACC-1/ ACC-2 are designed to plug all standard PMC modules with a maximum PCIbus width of 64bit and a PCIbus operation up to 66 MHz.

The ACC-1/ ACC-2 carrier board is of Universal I/O signaling voltage type and can be plugged in either a +3.3V or +5.0V CPCI chassis. On the secondary PCIbus side the PMC slot is configured to support +3.3V, I/O signaling voltage for use with +3.3V PMC modules. For +5.0V PMC modules the Carrier is identified by a different part number. The use of a voltage keying pin protects against false PMC assembly.

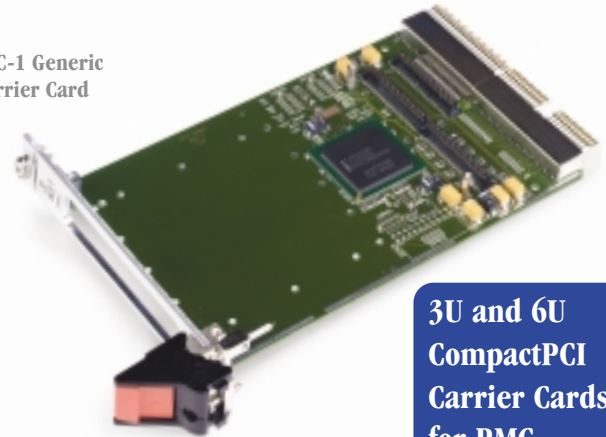
Key Features

- Easily configured with any AIM PMC Databus Module: AFDX/ARINC664, ARINC429, MIL-STD-1553 or any standard Third Party PMC module
- Mix and Match different Databus Modules with the ACC-2
- Rear I/O available for ACC-2
- 66Mhz operation for +3.3V environments
- +5.0V signaling environment available
- 64 bit PCI bus extension
- Fully compliant to CompactPCI Specification
- Hosts PMC interface designed to PMC standard P1386.1/Draft 2.4

ACC-1/ACC-2

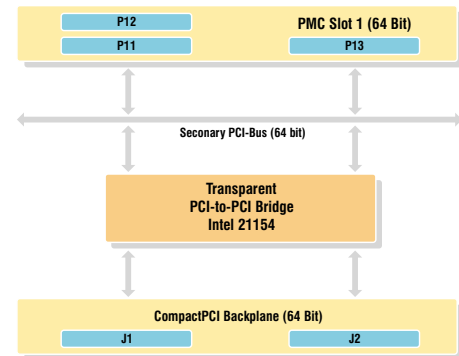
CompactPCI Generic Carrier Cards for PMC (PCIbus Mezzanine Card) modules

ACC-1 Generic Carrier Card

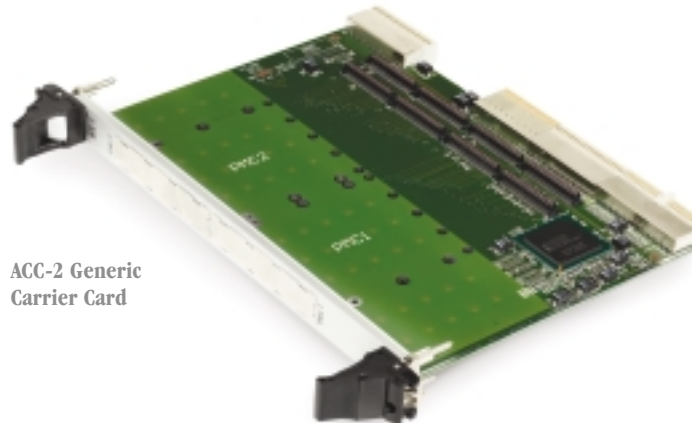


3U and 6U CompactPCI Carrier Cards for PMC

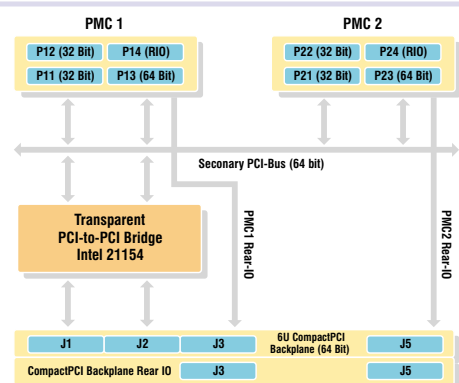
ACC-1



ACC-2 Generic Carrier Card



ACC-2



Avionics Databus Solutions

ACC-1/ACC-2



CPCI (3U and 6U)
Generic Carrier Cards for PMC
(PCibus Mezzanine Card)
modules

AIM Office Contacts:

AIM GmbH

Sasbacher Str.2
79111 Freiburg
Germany
Tel: +49 761 45 22 90
Fax: +49 761 45 22 93 3
email: sales@aim-online.com

Vertriebsbüro München
Terofalstrasse 23 a
80689 München
Germany
Tel: +49 89 70 92 92 92
Fax: +49 89 70 92 92 94
email: salesgermany@aim-online.com

AIM UK

Cressex Enterprise Centre
Lincoln Road
High Wycombe
Bucks, HP12 3RB
UK
Tel: +44 1494 446844
Fax: +44 1494 449324
email: salesuk@aim-online.com

AIM-USA

Seven Neshaminy Interplex
Suite 211
Trevose
PA 19053
USA
Tel: 267-982-2600
Toll Free: 877-520-1553
Fax: 215-645-1580
email: salesusa@aim-online.com

Technical Data

CPCI Interface

- Fully compliant to CompactPCI specification, PICMG 2.0 R3.0
- Supports +5V and +3.3V signaling voltage • CPCI Databus width of 32bit / 64bit
- CPCI Databus operation of up to 66MHz
- INTEL 21154 PCI-to-PCI Bridge Controller between CPCIbus and PCibus

PMC Interface

- ACC-1 Host Carrier board provides one PMC slot
- ACC-2 Host Carrier board provides two PMC slots
- Fully compliant to PCI Mezzanine card standardisation P1386.1 / Draft 2.4
- Supports +5V or +3.3V signaling voltage • PMC Databus width of 32bit / 64bit
- PMC Databus operation of up to 66MHz

PCI Bus

- Provides connections between CompactPCI Interface and the PMC slot/ slots
- Fully compliant to PCibus Specification Rev 2.1
- Supports either +5V or +3.3V VIO voltage, protected by PMC Keying Code
- PCibus width of 32bit / 64bit • PCibus operation of up to 66MHz
- Priority based PCibus Arbiter

Connectors: ACC-1

- CompactPCI: J1 Primary 32bit Bus / J2 Primary 64bit Bus
- PMC: P11 Secondary 32bit Bus / P12 Secondary 32bit Bus
P13 Secondary 64bit Bus

Connectors: ACC-2

- CompactPCI: J1 Primary 32bit Bus / J2 Primary 64bit Bus
J3 I/O (PMC 1) / J5 I/O (PMC 2)
- PMC: P11 Secondary 32bit Bus / P12 Secondary 32bit Bus
P13 Secondary 64bit Bus / P14 I/O
P21 Secondary 32bit Bus / P22 Secondary 32bit Bus
P23 Secondary 64 bit Bus / P24 I/O

Front Panel: PMC-Bezel standard Breakout

Dimensions: ACC-1: 3U Board: 100mm x 160mm
ACC-2: 6U Board: 233mm x 160mm

Power Dissipation: ACC-1: 2.2 Watt maximum: full BusLoad (excludes PMC dissipation)
ACC-2: 2.2 Watt maximum: full BusLoad (excludes PMC dissipation)

Temperature: 0 to +70°C Standard Operating
-40 to +85°C Extended Temperature
-55 to +125°C Storage

Humidity: 5 to 95% non-condensing

Ordering Information

ACC-1: CPCI (3U) Carrier Module with one PMC slot
ACC-1-5V: CPCI (3U) Carrier Module with one PMC slot (5V version)
ACC-2: CPCI (6U) Carrier Module with two PMC slots
ACC-2-5V: CPCI (6U) Carrier Module with two PMC slots (5V version)

