

ADock

Docking Station for AIM ANET Devices

Data Sheet



General Features

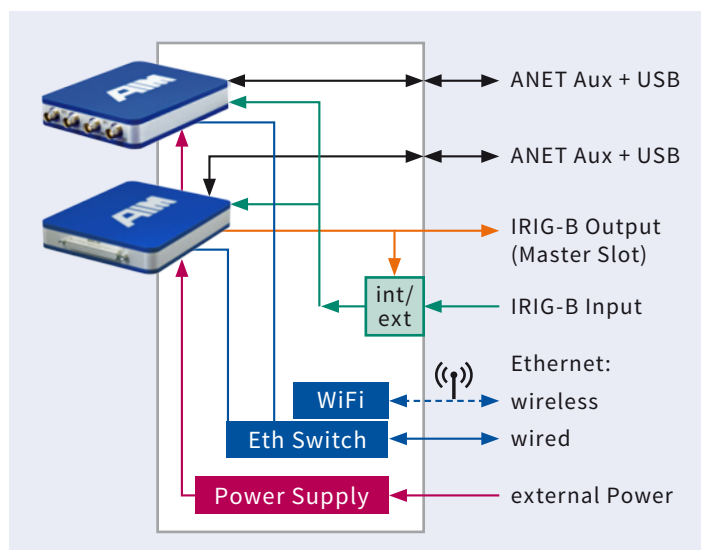
The ADock ANET Docking Station offers the capability to host up to 4 AIM ANET Ethernet based data bus interface devices in a single housing.

The ADock hosts a single power supply unit for all 4 ANET slots and for the also included Ethernet Switch and optional

WLAN Router. Per default the ADock is AC powered (see Technical Data Section for details). The ANETs can be individually powered via dedicated power switches to support a maximum of flexibility via the capability plug/unplug a single ANET without powering down the entire docking station or other ANETs mounted in the dock.



ADock Rackmount Variant



ADock Schematic (Example for 2 ANETs)



Rear View of the ADock Tower Variant

The ADock hosts an 8-Port 10/100/1000 Base-T Ethernet Switch and offers the Ethernet connection for all ANET slots to the outside via a single RJ-45 connector.

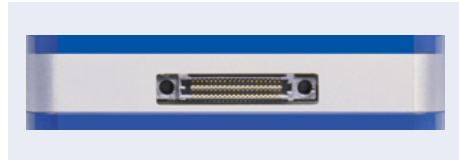
The ADock internal backplane routes the IRIG-B output of the topmost ANET Slot (Time Master) to the IRIG-B Output connector. An IRIG-B Input connector routes an external IRIG-B signal to the IRIG-B Inputs of all ANET Slots. Via the external feed of an IRIG-B signal or re-routing the Time Master's IRIG-B Output to the IRIG-B Input via a selector switch, the synchronization of all ANETs is easily possible.

Additionally the ANET Auxiliary connector (offering Discretes, Trigger-I/O, etc.) as well as the General Purpose USB port are available at the ADock for every ANET slot.

The ADock Tower Variant offers all connections for Power, Ethernet, ANET Auxiliary and USB, IRIG-B via the rear panel.



Rear View of the Standard ANETxxxx



Rear View of the ANETxxxx-D Variant

ANET Dockable Version '-D'

The ANET devices for use in the ADock come with similar functional features like the standard ANET devices as well as with the same housing and footprint. More details about the general ANET features can be found in the corresponding data sheets for the ANET429, ANET1553 and ANET3910.

The ADock also has provisions for showing the ANET's functional status, which is indicated via the color of the illuminated AIM Logo at the front panel of the ADock.

For the support of the docking, the ANET '-D' Variants have a single connector at the rear panel compared to the different types of connectors on the Standard ANETs.

Note: For using '-D' Variants in a single standalone configuration without the ADock, please use ADock-1A Adapter.



ADock-1A Adapter

Technical Data

ANET Slots

4 ANET Slots for any type of AIM ANET Devices

Note: ANET '-D' Variants with dockable connector panel required. ANETs with standard connectors at ANET rear side are not compatible with the ADock!

Power Supply

In: 100 to 240V AC / 50 to 60Hz,

Out: 12V DC / 10A

Connector: 1x IEC 60320 C14

(other variants on request)

Ethernet

One 10/100/1000Base-T connection via RJ45 (1x for -4T, 2x for -4R)

IRIG-B

1x BNC Socket IRIG-Output

1x BNC Socket IRIG-Input

Selector Switch for external/internal IRIG-B sync

ANET Auxiliary I/O

4x High-Density D-Sub 15-way for ANET Discrete I/O, Trigger-I/O (as for Standard ANET devices)

ANET General Purpose USB

4x USB2.0 Mini-B socket (Tower),

Type A (Rack)

WLAN (optional)

Industrial WLAN Router, 150Mbit/s, 802.11b/g, with support for WPA/WPA2 PSK., Antenna omnidirect +5dBi, 210mm length via RP-SMA socket

Dimensions

Tower Version:

190mm x 170mm x 320mm (WxDxH),

5kg w/o ANETs

19"/3U Rackmount Version:

483mm x 465mm x 132mm (WxDxH),

5kg w/o ANETs

Operating Temperatures:

Standard: 0 to 50°C

Extended: on request

AIM Office Contacts:

AIM GmbH

Sasbacher Str. 2
D-79111 Freiburg / Germany
Phone +49 (0)761 4 52 29-0
Fax +49 (0)761 4 52 29-33
sales@aim-online.com

AIM GmbH – Munich Sales Office

Terofalstr. 23a
D-80689 München / Germany
Phone +49 (0)89 70 92 92-92
Fax +49 (0)89 70 92 92-94
salesgermany@aim-online.com

AIM UK Office

Cressex Enterprise Centre, Lincoln Rd.
High Wycombe, Bucks. HP12 3RB / UK
Phone +44 (0)1494-446844
Fax +44 (0)1494-449324
salesuk@aim-online.com

AIM USA LLC

Seven Neshaminy Interplex
Suite 211 Trevoze, PA 19053
Phone 267-982-2600
Fax 215-645-1580
salesusa@aim-online.com

Ordering Information

ADock-4T

4 Slot ANET docking Station Tower

ADock-4R

4 Slot ANET docking Station

19" Rack

add '-W'

for WLAN option

Note:

For all ADock configurations the ANETs to be hosted must be of '-D' (dockable) type