

# FOL429-P

## What is FOL429-P?

FOL429-P is an abbreviation for Fibre Optic Link (Portable), being a two part system used to extend multiple ARINC429 channels. The system has been designed for applications where the distance from the UUT (Unit Under Test) has to be extended.

The FOL429-P provides a unit with 16 dedicated ARINC429 uni-directional channels, other configurations are available upon request. Users can extend the ARINC429 link(s) for up to 500m limited by the optical attenuation of the fibre. Automatic transmission rate detection is featured on each channel.

FOL429-P units are 'stand alone' applications with integrated battery and optional plug-in DC power supply. FOL429-P provides a flexible, simple and easy to operate system making it an ideal solution for both fixed and portable applications.

- Remote Monitoring/ Simulation
- ARINC429 Link Extensions

FOL429-P Front



Portable Standalone Fibre  
Optic Extension Systems  
for ARINC429



FOL429-P Rear

### Features

The FOL429-P design comprises a two part system and requires no software to operate.

- Portable - Easy to use 'Plug & Play' design
- Optical Link: COTS 62.5/ 125 $\mu$ m multimode gradient index fibre with ST-connectors (wavelength 1300nm)
- Extended Temperature Version available
- Battery Packs for Stand alone operation integrated (up to 3:30h depending on bus load)
- External DC power supply for battery charging or operation: 12..28VDC

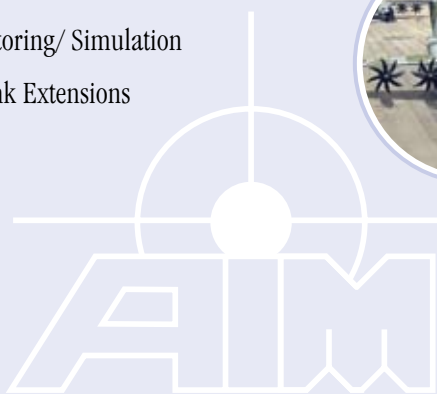
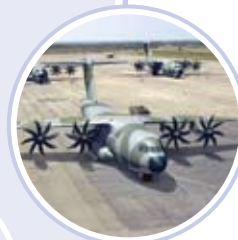
### Connector Types:

- D-Sub37 connector for ARINC429 channels
- ST-connectors for Fibre Optics
- DC power supply plug

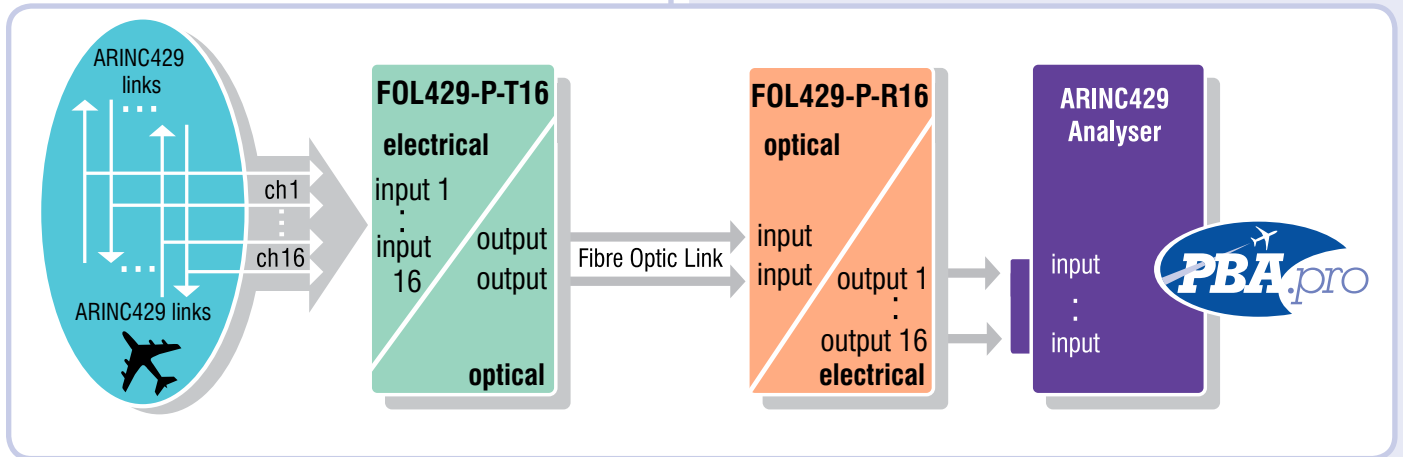
### Temperature:

- Standard Version: 0°C... +45°C
- Extended Version: (Operating) -20°C... +60°C  
(reduced battery capacity at low end)  
(Charge) 0°C... +45°C

Avionics Databus Solutions



## FOL429 System uni-directional



The shown configuration receives ARINC429 channels from the data source and transmits it over the fibre optical link for evaluation in the data destination.



FOL429-P16 (Rear View)

### Ordering Information

#### FOL429-P-T16

Compact 16-channel ARINC429 Fiber Optic Extension Module; Transmit direction only (i.e. transmit data into Fibre Optic Link); Including Battery Pack and Power Supply Adapter

#### FOL429-P-R16

Compact 16-channel ARINC429 Fiber Optic Extension Module; Receive direction only (i.e. receive data from Fibre Optic Link); Including Battery Pack and Power Supply Adapter

AIM can supply the fibre optical interconnecting cables as an option. Please contact the factory for more information and prices.



### AIM Office Contacts:

#### AIM GmbH

Sasbacher Str.2  
79111 Freiburg  
Germany

Tel: +49 761 45 22 90  
Fax: +49 761 45 22 93 3  
email: sales@aim-online.com

#### AIM GmbH

Vertriebsbüro München  
Terofalstrasse 23 a  
80689 München  
Germany

Tel: +49 89 70 92 92 92  
Fax: +49 89 70 92 92 94  
email: salesgermany@aim-online.com

#### AIM UK

Cressex Enterprise Centre  
Lincoln Road  
High Wycombe  
Bucks, HP12 3RB  
UK

Tel: +44 1494 446844  
Fax: +44 1494 449324  
email: salesuk@aim-online.com

#### AIM-USA

Seven Neshaminy Interplex  
Suite 211  
Trevose, PA 19053  
USA

Tel: 267-982-2600  
Toll Free: 877-520-1553  
Fax: 215-645-1580  
email: salesusa@aim-online.com