



# ADock

Docking Station for  
AIM ANET Devices



**General Features**

The ADock ANET Docking Station offers the capability to host up to four AIM ANET Ethernet based data bus interface devices in a single housing.

The ADock hosts a single power supply unit for all four ANET slots and for the also included Ethernet Switch and optional WLAN Router. Per default the ADock is AC powered (see Technical Data Section for details). The ANETs can be individually powered via dedicated power switches to support a maximum of flexibility via the capability plug/unplug a single ANET without powering down the entire docking station or other ANETs mounted in the dock.

The ADock hosts an 8-Port 10/100/1000Base-T Ethernet Switch and offers the Ethernet connection for all ANET slots to the outside via a single RJ-45 connector.

The ADock internal backplane routes the IRIG-B output of the topmost ANET Slot (Time Master) to the IRIG-B Output connector. An IRIG-B Input connector routes an external IRIG-B Signal to the IRIG-B Inputs of all ANET Slots. Via the external feed of an IRIG-B signal or re-routing the Time Master's IRIG-B Output to the IRIG-B Input via a selector switch, the synchronization of all ANETs is easily possible.

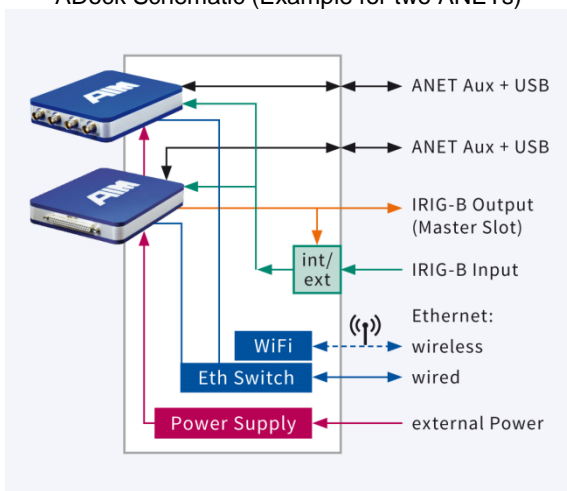
Additionally the ANET Auxiliary connector (offering the Discretes, Triggers I/O, etc.) as well as the General Purpose USB port is available at the ADock for every ANET slot.

The ADock Tower Variant offers all Connections for Power, Ethernet, ANET Auxiliary and USB, IRIG-B via the rear panel.



Above: Rear View of the ADock Tower Variant

ADock Schematic (Example for two ANETs)



Below: Front View of the ADock Rack Variant



ANET Dock-able Version '-D'

The ANET devices for use in the ADock come with similar functional features like the standard ANET devices as well as with the same housing and footprint. More details about the general ANET features can be found in the corresponding data sheets for the ANET429, ANET1553 and ANET3910.

The ADock also has provisions for showing the ANET's functional status, which indicated via the color of the illuminated AIM Logo, at the front panel of the ADock.

For the support of the docking, the ANET '-D' variants have a single connector at the rear panel compared to the different types of connectors on the Standard ANETs.



Above: Rear View of the ANETxxx-D variant

Below: Rear View of the Standard ANETxxx



*Note: For using '-D' Variants in a single standalone configuration without the ADock, please contact factory.*

Technical Data

**ANET Slots**

Four ANET Slots for any type of AIM ANET Devices

*Note: ANET '-D' variants with dock-able connector panel required. ANETs with standard connectors at ANET rear side are not compatible with the ADock*

**Power Supply**

In: 100....240V AC / 50....60Hz, Out: 12V DC / 10A

Connector: 1x IEC 60320 C14, rear

(other variants on request)

**Ethernet**

One 10/100/1000Base-T connection via 1x RJ-45, rear

**IRIG-B**

1x BNC Socket IRIG-Output

1x BNC Socket IRIG-Input

Selector Switch for external/internal IRIG-B sync rear (Tower), front (Rack)

**ANET Auxiliary I/O**

4x High Density D-Sub 15-way for ANET Discrete

I/O, Trigger I/O (as for Standard ANET devices)

rear (Tower), front (Rack)

**ANET General Purpose USB**

4x USB2.0, Mini-B socket, rear (Tower),

Type A, front (Rack)

**WLAN (optional)**

Industrial WLAN Router, 150Mbit/s, 802.11b/g, with

support for WPA/WPA2 PSK., Antenna omnidirect

+5dBi, 210mm length via RP-SMA socket,

rear (Tower), front (Rack)

**Dimensions**

*Tower Version:*

190mm x 170mm x 320mm (WxDxH), 5kg w/o ANETs

*19"/3U Rackmount Version: (t.b.c.)*

482mm x 350mm x 135mm (WxDxH), 4kg w/o ANETs

Operating Temperatures:

t.b.d.

**Ordering Information:**

ADock-4T 4-Slot ANET docking Station Tower

ADock-4R 4-Slot ANET docking Station 19" Rack

add '-W' for WLAN option

*Note:*

*For all ADock configurations, the ANETs to be*

*hosted must be of '-D' (dock-able) type*

**AIM – Gesellschaft für angewandte Informatik und Mikroelektronik mbH**

**AIM GmbH**

Sasbacher Str. 2  
D-79111 Freiburg / Germany  
Phone +49 (0)761 4 52 29-0  
Fax +49 (0)761 4 52 29-33  
[sales@aim-online.com](mailto:sales@aim-online.com)

**AIM GmbH - Munich Sales Office**

Terofalstr. 23a  
D-80689 München / Germany  
Phone +49 (0)89 70 92 92-92  
Fax +49 (0)89 70 92 92-94  
[salesgermany@aim-online.com](mailto:salesgermany@aim-online.com)

**AIM UK Office**

Cressex Enterprise Centre, Lincoln Rd.  
High Wycombe, Bucks HP12 3RB / UK  
Phone +44 (0)1494-446844  
Fax +44 (0)1494-449324  
[salesuk@aim-online.com](mailto:salesuk@aim-online.com)

**AIM USA LLC**

Seven Neshaminy Interplex  
Suite 211 Trevoise, PA 19053  
Phone 267-982-2600  
Fax 215-645-1580  
[salesusa@aim-online.com](mailto:salesusa@aim-online.com)

© AIM GmbH 2015

Notice: The information that is provided in this document is believed to be accurate. No responsibility is assumed by AIM GmbH for its use. No license or rights are granted by implication in connection therewith. Specifications are subject to change without notice.