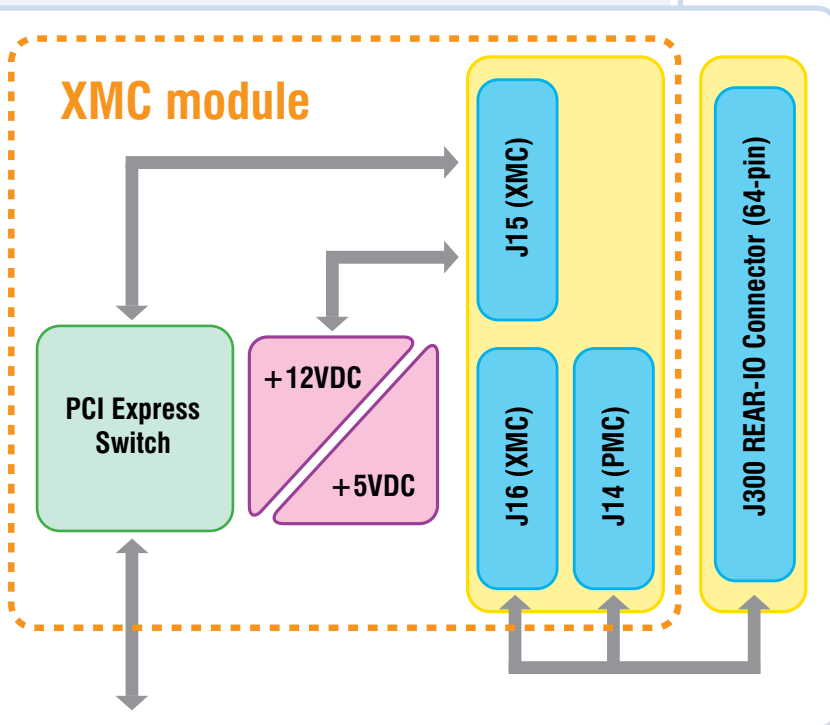


General Features

The ACPx-1 is an active single lane PCI Express carrier card for Vita 42.3 (XMC) modules, which support all XMC compliant mezzanine modules and can be mounted in any PCI Express slot in a PC. The dimension of the ACPx-1 is a standard height, half-length, Single Lane PCI Express add-in card and includes one site for a standard Vita 42.3 XMC-module. The ACPx-1 implements a PCI Express Switch which fulfils the requirements of the PCI Express Base Specification Revision 2.1. The XMC slot is in conformance with the ANSI/ Vita 42.0 and 42.3-2006 standard for XMC PCI Express protocol.

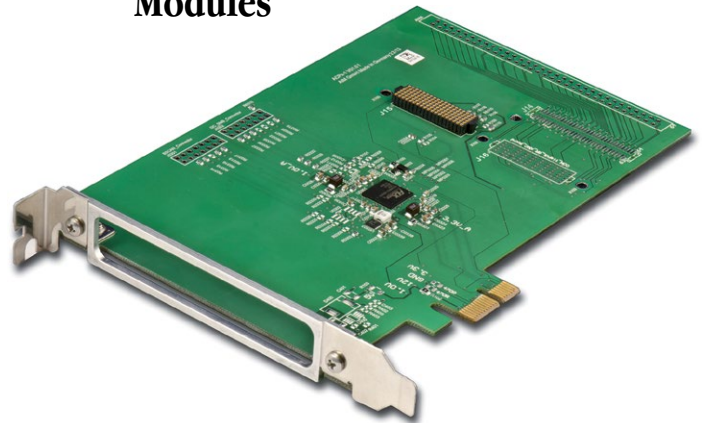
XMC Module Interface

The ACPx-1 is designed to plug all standard Vita 42.3 (PCI Express) XMC modules and support bus operation of up to 5 Gbit/s. For special test purposes, the Rear-IO signals of the plugged in XMC module are routed to a 64-bit ribbon cable connector on the rear area of the ACPx-1 module (not available in default configuration). The XMC connector J15 offers optional variable power pins that carry either 12V or 5V. These power pins are available on request and not present by standard configuration. The followed block diagram gives an overview of the ACPx-1 carrier.



ACPx-1

PCI Express Generic Carrier Card for XMC (PCI Express bus Mezzanine Card) Modules



Plug all standard Vita 42.3 compliant XMC modules

Key Features

- Easily configured with any AIM XMC Databus Module: ARINC429, MIL-STD-1553 or any standard Third Party, Vita 42.3 compliant XMC module
- Gen 2 PCI Express bus operation of 5 Gb/s data rate
- Single lane standard height, half-length PCI Express add-in card
- Fully compliant to PCI Express Specification, Rev. 2.1
- XMC standard for Vita 42.0 and 42.3-2006

Avionics Databus Solutions



ACPx-1

*PCI Express Generic Carrier
Card for XMC
(PCI Express bus Mezzanine Card)
Modules*

AIM Office Contacts:

AIM GmbH

Sasbacher Str.2
79111 Freiburg
Germany
Tel: +49 761 45 22 90
Fax: +49 761 45 22 93 3
email: sales@aim-online.com

Vertriebsbüro München
Terofalstrasse 23 a
80689 München
Germany
Tel: +49 89 70 92 92 92
Fax: +49 89 70 92 92 94
email: salesgermany@aim-online.com

AIM UK

Cressex Enterprise Centre
Lincoln Road
High Wycombe
Bucks, HP12 3RB
UK
Tel: +44 1494 446844
Fax: +44 1494 449324
email: salesuk@aim-online.com

AIM-USA

Seven Neshaminy Interplex
Suite 211
Trevose
PA 19053
USA
Tel: 267-982-2600
Toll Free: 877-520-1553
Fax: 215-645-1580
email: salesusa@aim-online.com

Technical Data

PCI Express Interface

- Fully compliant to PCI Express Base Specification, Revision 2.1
- Fully compliant to PCI Express Card Electromechanical Specification, Rev. 2.0
- Single lane standard height, half-length PCI Express add-in card
- 5Gb/s data rate

XMC Interface

- Provides one XMC slot
- Fully compliant to PCI Mezzanine card standardisation IEEE1386.1/ Draft 2.4
- Fully compliant to Vita XMC Standard 42.0
- Fully compliant to Vita XMC PCI Express Protocol Layer Standard 42.3-2006
- Single lane PCI Express bus operation of 5Gb/s data rate
- Variable optional 5V or 12V power pins on XMC are available on request

Front Panel:

XMC-Bezel standard Breakout on PCI Express-Bracket

Dimensions:

Single lane PCI Express add-in card: 167.64mm x 106.68mm

Power Dissipation:

0.8W maximum: @full BusLoad (excludes XMC-module power dissipation)

Temperature:

0°C to +70°C Standard Operating
-40°C to +85°C Extended Temperature
-40°C to +85°C Storage

Humidity:

5 to 95% non-condensing

Ordering Information

ACPx-1:

PCIe bus (2.1) Single Lane Carrier Module with one Single Lane (2.1) XMC slot
For other configuration please contact the factory